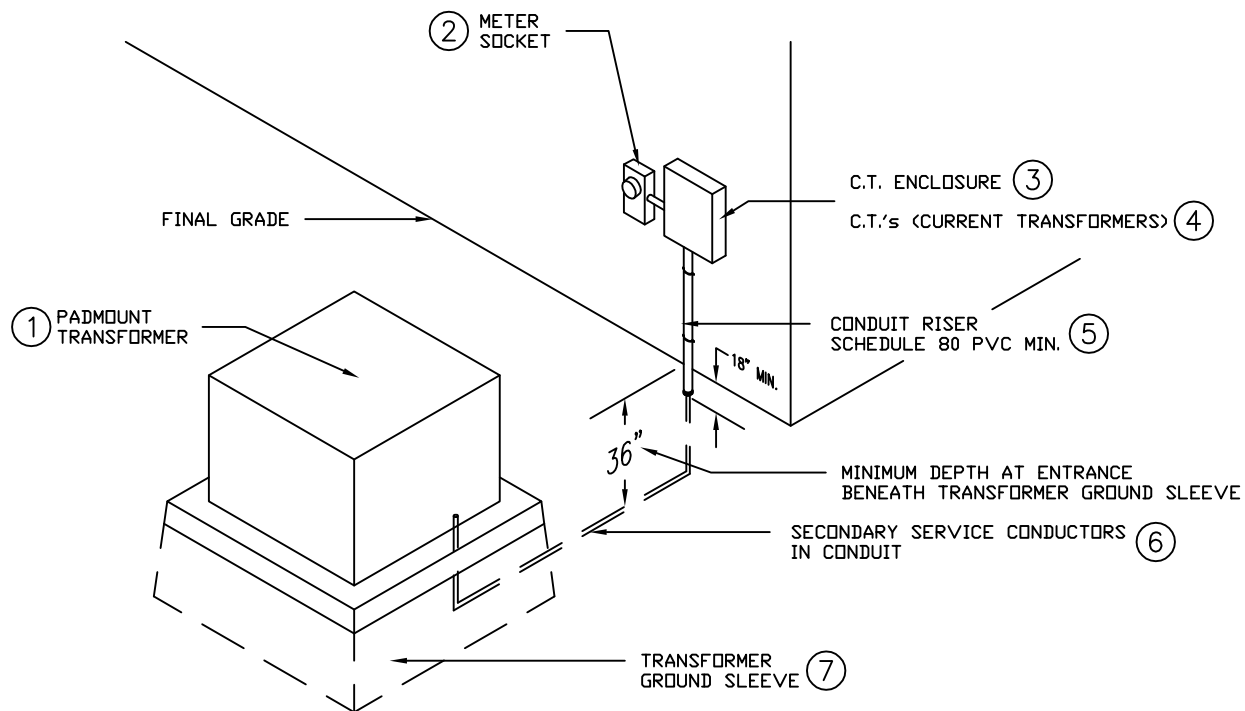


FIGURE 11M

NOTES:

SEE "GUIDELINES, CONTACTS,
FOR COMMERCIAL METERING."



ITEMS 1, 4, 7 FURNISHED AND
INSTALLED BY UNITED POWER

ITEMS 3, 5, 6, FURNISHED
AND INSTALLED BY CUSTOMER

ITEM 2 FURNISHED BY UNITED POWER
AND INSTALLED BY CUSTOMER



UNITED POWER, INC.

P.O. BOX 929 • BRIGHTON, CO. 80601

DWN BY: *ES*

ISSUED BY: *ER*

ISSE DT:

C.T. METER INSTALLATION
SINGLE PHASE

ENG. APPROVAL:

DATE:

OPER. APPROVAL:

DATE: