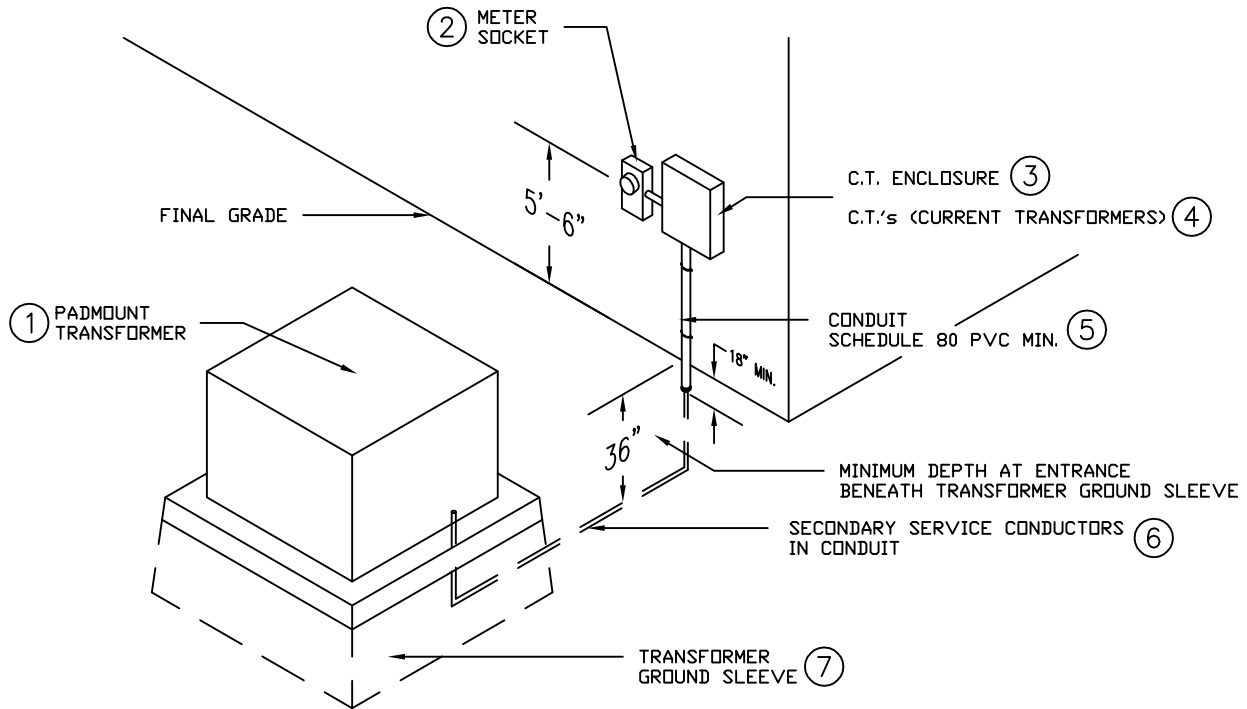


FIGURE 12M

NOTES:

1. SEE "GUIDELINES, CONTACTS, FOR COMMERCIAL METERING."
2. MAXIMUM 8 - 1000 MCM CONDUCTORS PER PHASE.



ITEMS 1, 4, 7 FURNISHED AND INSTALLED BY UNITED POWER

ITEMS 3, 5, 6, FURNISHED AND INSTALLED BY CUSTOMER

ITEM 2 FURNISHED BY UNITED POWER AND INSTALLED BY CUSTOMER



UNITED POWER, INC.

P.O. BOX 929 • BRIGHTON, CO. 80601

DWN BY: *ES*

ISSUED BY: *ER*

ISSE DT:

C.T. METER INSTALLATION  
THREE PHASE

ENG. APPROVAL:

DATE:

OPER. APPROVAL:

DATE: