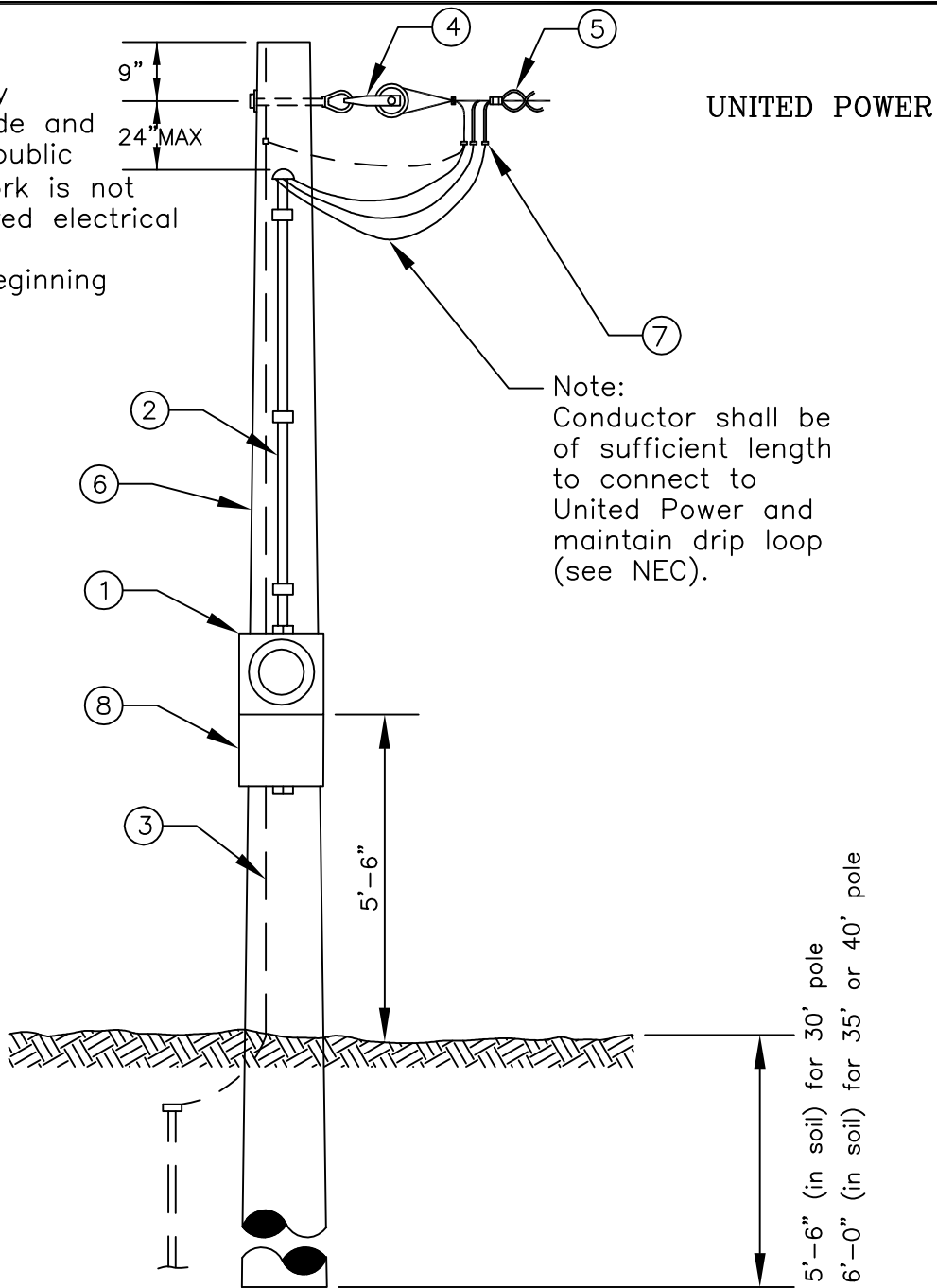


FIGURE 1TO

Note:  
Customer's system will be in conformance with the currently adopted National Electrical Code and the wiring regulations of the public authority. If the electrical work is not being performed by a registered electrical contractor, contact your local Electrical Inspector prior to beginning work or purchasing materials.



GUIDELINE ONLY

ITEM NO.	MATERIAL	ITEM NO.	MATERIAL
1	METER SOCKET	6	POLE-30',35' OR 40' AS REQUIRED
2	CONDUIT AND CONDUCTOR SERVICE ENTRANCE	7	CONNECTORS
3	GROUND SYSTEM	8	MAIN DISCONNECT
4	SECONDARY CLEVIS		
5	SERVICE		

ITEM 5, 7 FURNISHED AND INSTALLED BY UNITED POWER.  
ITEM 1, 2, 3, 4, 6, 8 FURNISHED AND INSTALLED BY CUSTOMER.



UNITED POWER, INC.  
P.O. BOX 929 • BRIGHTON, CO. 80601

DWN BY: KH  
ISSUED BY:  
ISSUE DT:

TEMPORARY OVERHEAD SERVICE  
POLE MOUNTED METER.  
INDIVIDUAL CUSTOMER

ENG. APPROVAL      DATE:  
OPER. APPROVAL      DATE: