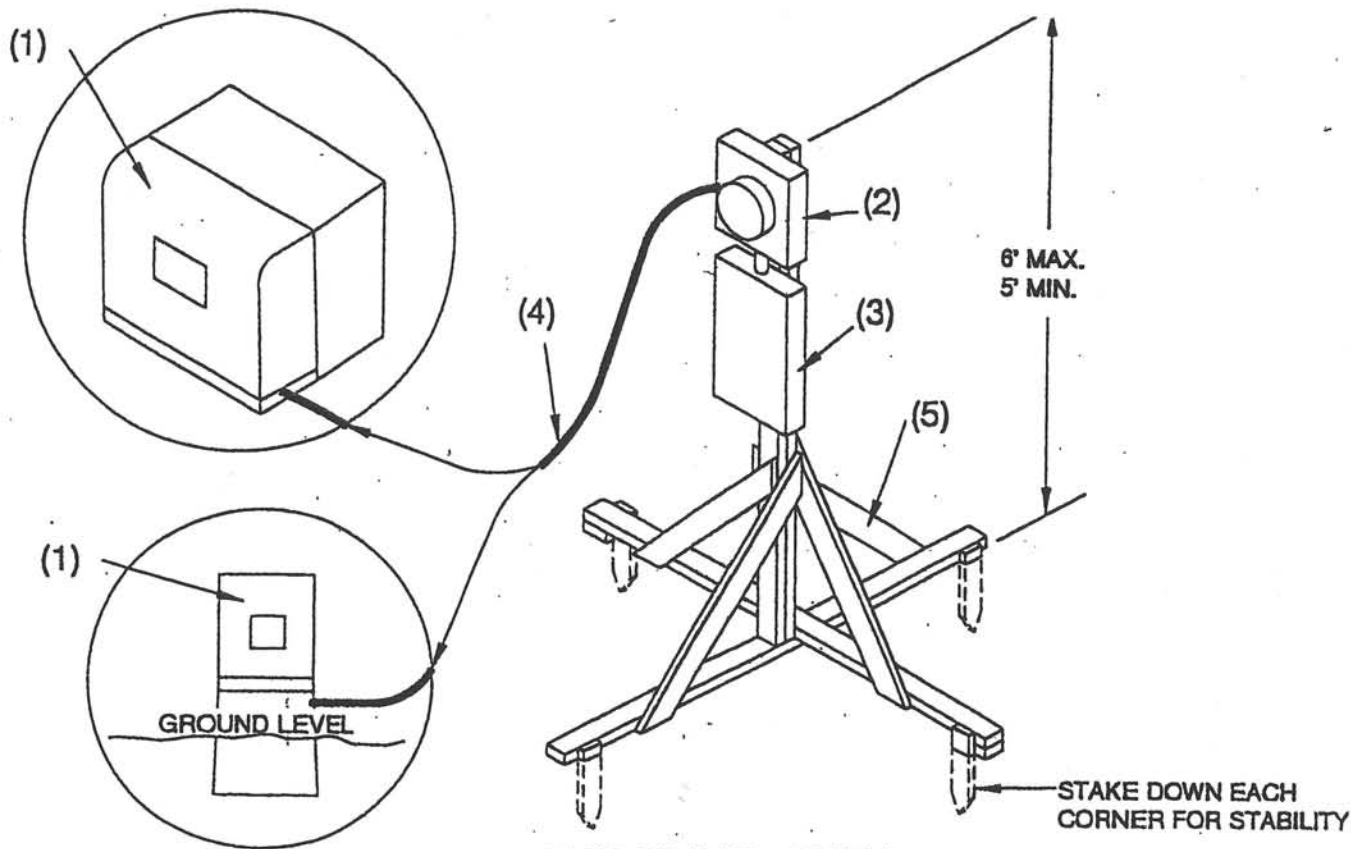


FIGURE 1TU



GUIDELINE ONLY

NOTE:

NOTES:

1. All connections to United Power equipment shall be made by United Power personnel only.
2. Where flex conduit attaches to above ground pedestal or transformer, a suitable connector for 1" flexible conduit to the 1" knockout must be supplied by the customer. The minimum wire size is 3#6 AL and wires must extend 36" beyond connector.
3. Service Address must be prominently displayed on temporary service pole installation.
4. United Power reserves the right to refuse to connect any unsafe installation.

ITEM NO.	MATERIAL	ITEM NO.	MATERIAL
1	Transformer or Secondary Pedestal		
2	Meter Houseing		
3	Disconnect Device		
4	Flexible Conduit and Service Wire		
5	Temporary Structure		

ITEM 1, FURNISHED AND INSTALLED BY UNITED POWER.
 ITEM 2,3,4,5 FURNISHED AND INSTALLED BY CUSTOMER.

UNITEDPOWER

UNITED POWER, INC.
 P.O. BOX 929 • BRIGHTON, CO. 80601

ENG. APPROVAL:	DATE:	DWN BY: A.Y.S	TEMPORARY UNDERGROUND SERVICE TRANSFORMER OR SECONDARY PEDESTAL TO METER POLE
OPER. APPROVAL:	DATE:	ISSUED BY:	
		ISSUED DT:	