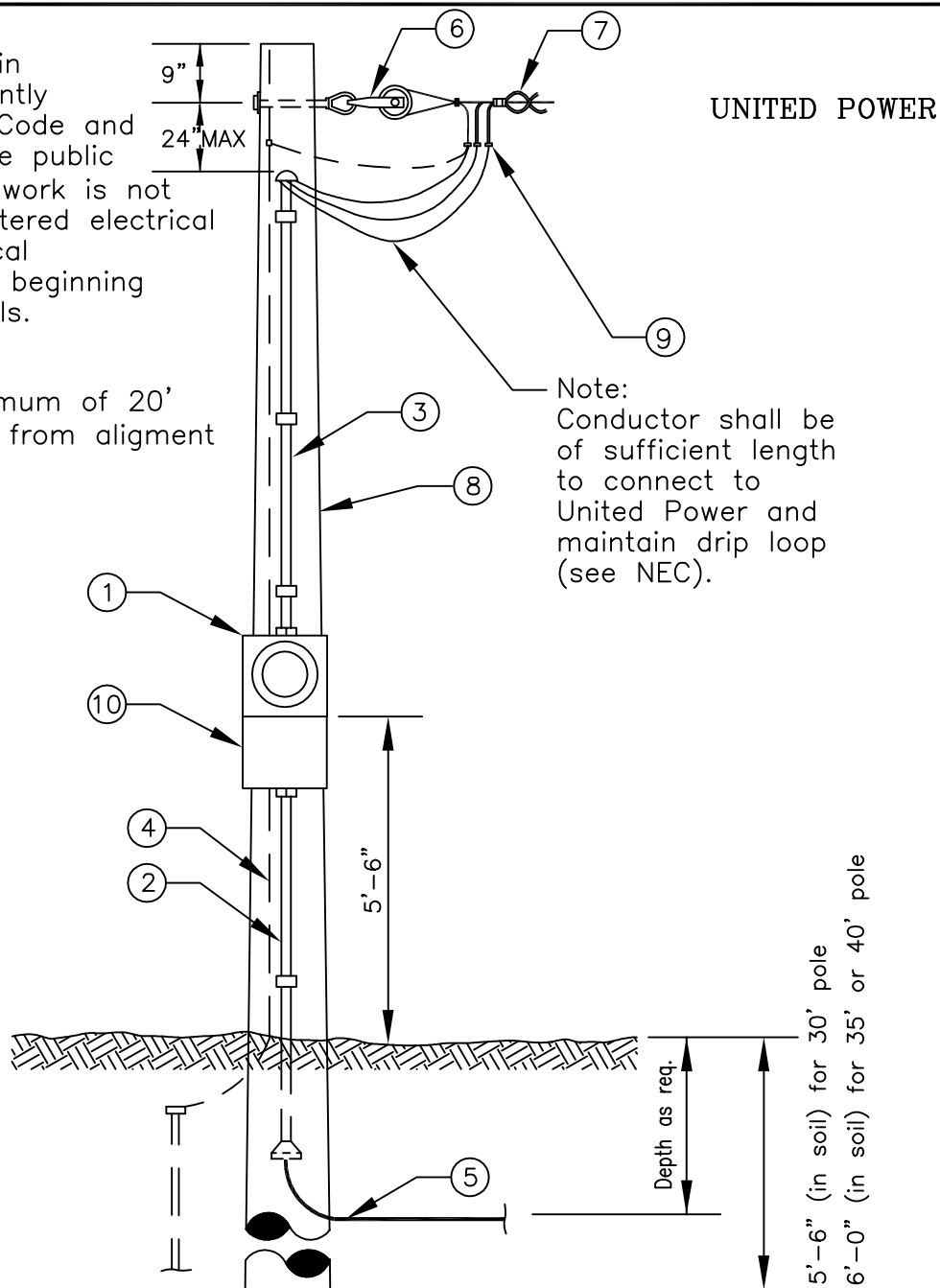


FIGURE 6M

Notes:

- Customer's system will be in conformance with the currently adopted National Electrical Code and the wiring regulations of the public authority. If the electrical work is not being performed by a registered electrical contractor, contact your local Electrical Inspector prior to beginning work or purchasing materials.
- Meter pole shall be a minimum of 20' from primary pole and 15' from alignment of overhead primary line.



GUIDELINE ONLY

ITEM NO.	MATERIAL	ITEM NO.	MATERIAL
1	METER SOCKET	8	POLE-30',35' OR 40' AS REQUIRED
2	CONDUIT, SERVICE	9	CONNECTORS
3	CONDUIT AND CONDUCTOR SERVICE ENTRANCE	10	MAIN DISCONNECT
4	GROUND SYSTEM		
5	UNDERGROUND CABLE		
6	SECONDARY CLEVIS		
7	SERVICE		



UNITED POWER, INC.
P.O. BOX 929 • BRIGHTON, CO. 80601

DWN BY: KH
ISSUED BY:
ISSUE DT:

PERMANENT UNDERGROUND SERVICE
POLE MOUNTED METER.
INDIVIDUAL CUSTOMER

ITEM 6, 7, 8, 9, FURNISHED AND INSTALLED BY UNITED POWER.
ITEMS 1, 2, 3, 4, 5, 10 FURNISHED AND INSTALLED BY CUSTOMER.

ENG. APPROVAL DATE:
OPER. APPROVAL DATE: