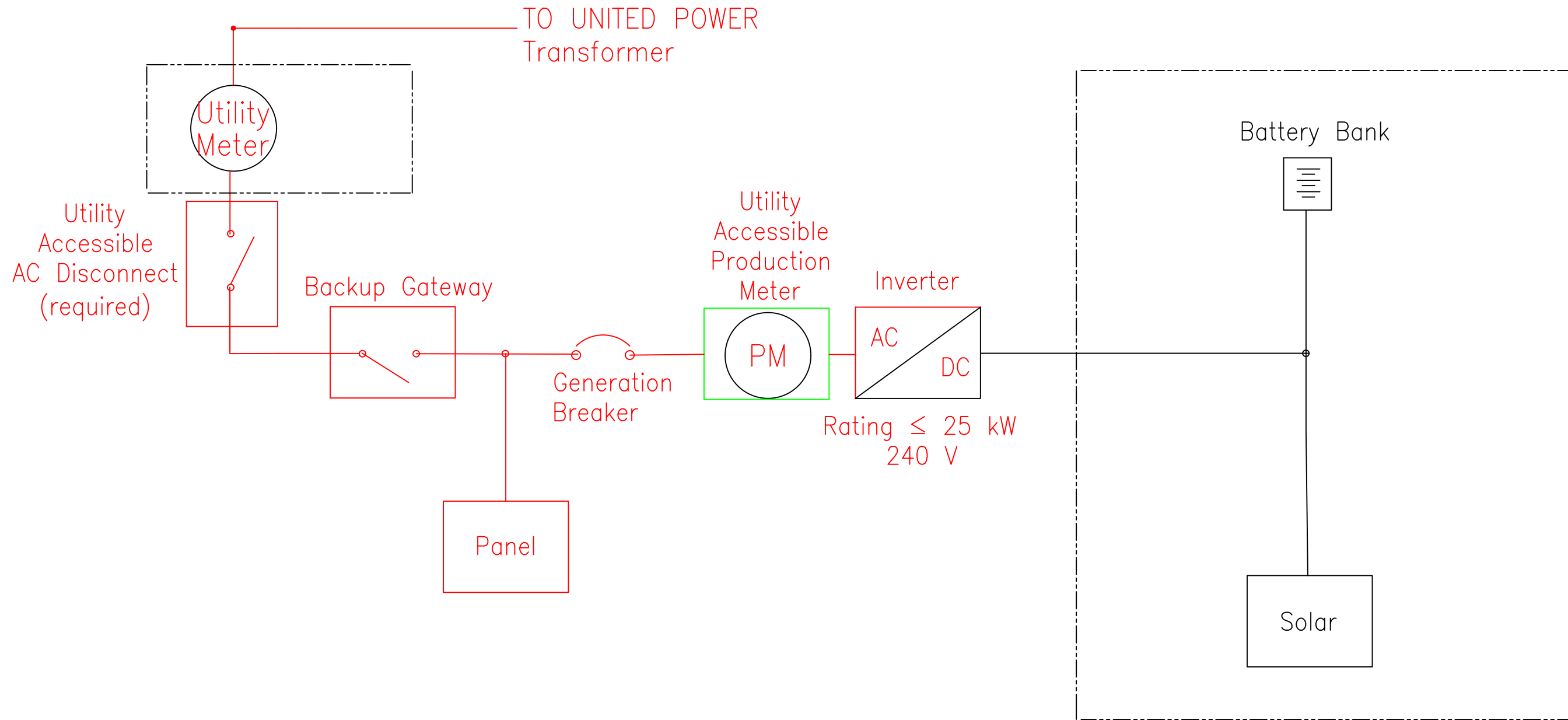


UNITED POWER



NOTES:

1. Wiring from inverter must be connected on top side of PM

Interconnection Standards

One Line Diagram
Solar w/Storage Single Line
Solar Nameplate Rating ≤ 25 kW, 240 V
Inverter Nameplate Rating ≤ 25 kW, 240 V
UNITED POWER, INC.
BRIGHTON, COLORADO



Design: TJB
Appd: xx
Date: 06/29/23
Date: xx/xx/xx

IS-25kW

No.	Date	Appd.	Revision
1	6/29/23	TJB	PRELIMINARY - FOR REVIEW
2			
3			
4			
5			
6			
7			

Ref.	Drwg. Title